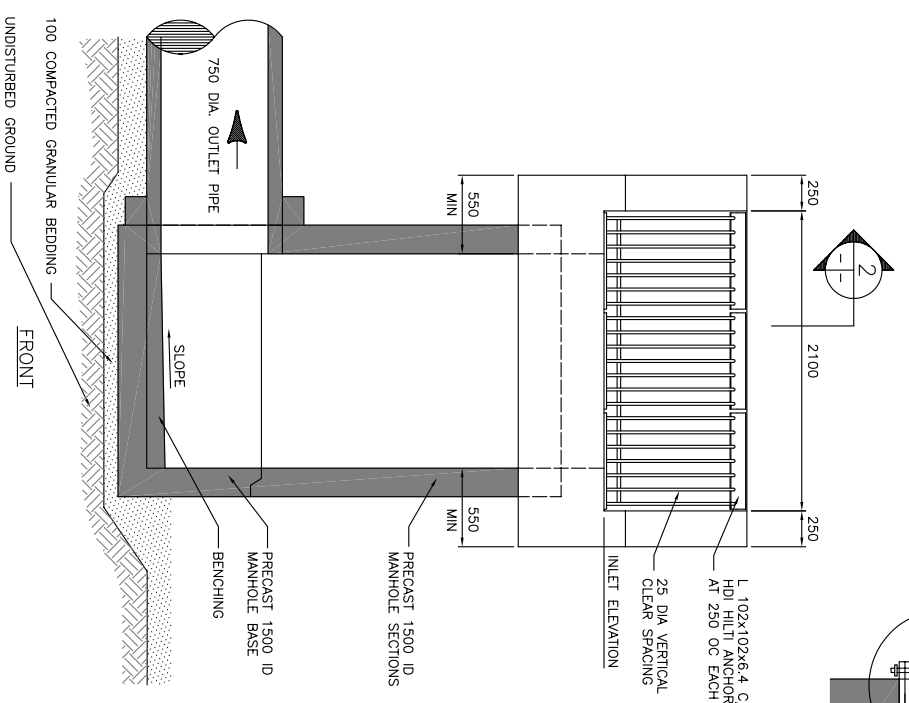
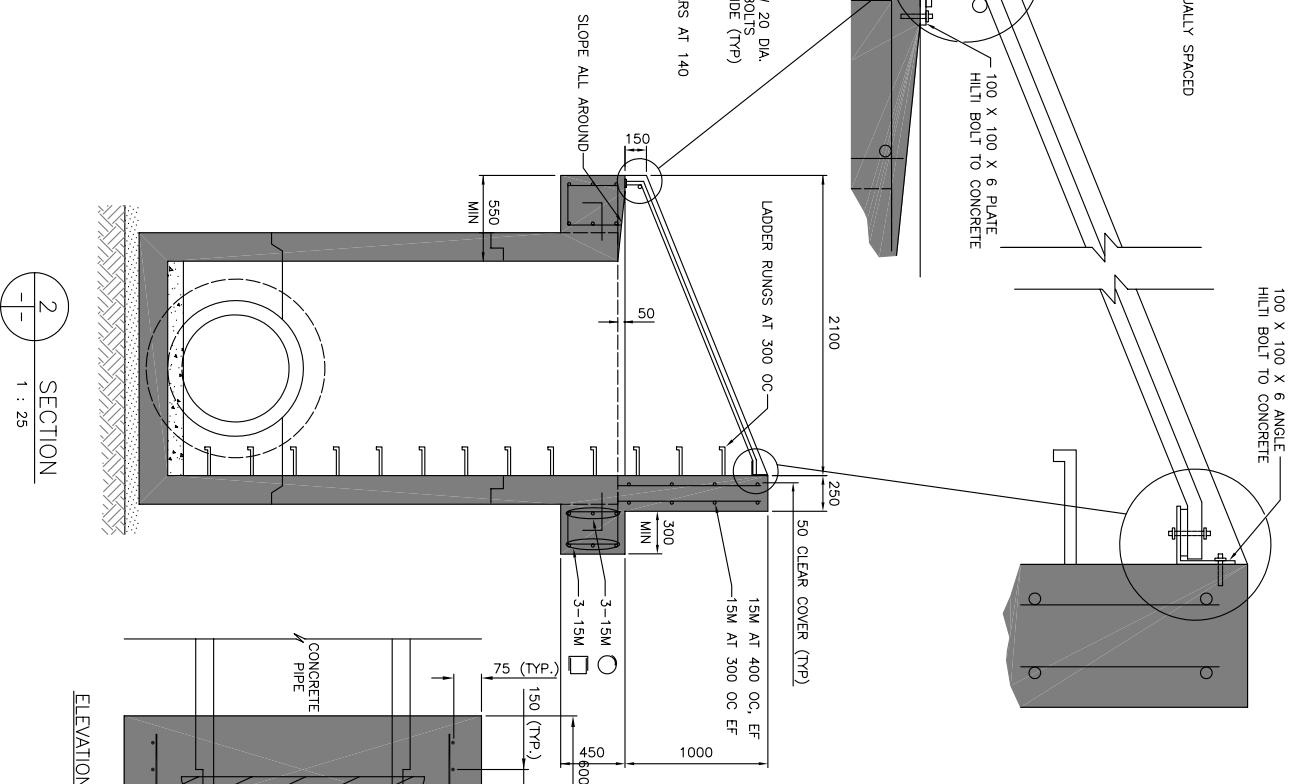


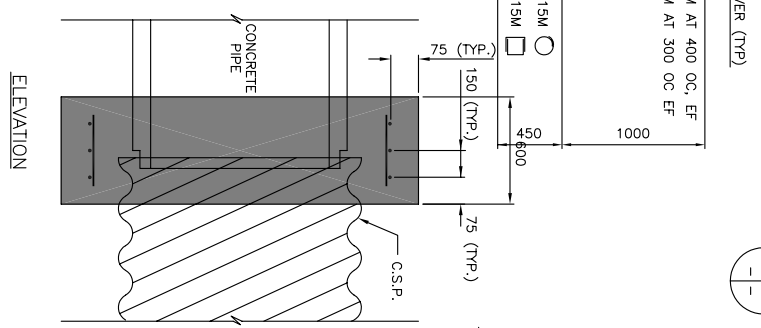
PLAN SECTION



1 DITCH INLET STRUCTURE
1 : 25

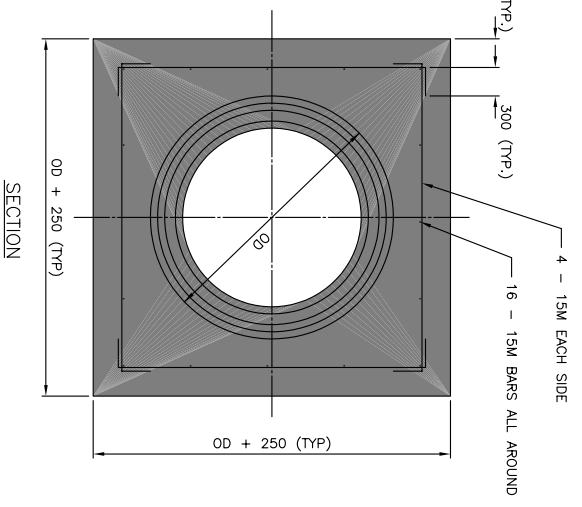


2 SECTION
1 : 25

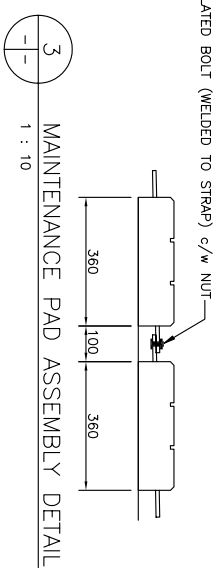


ELEVATION

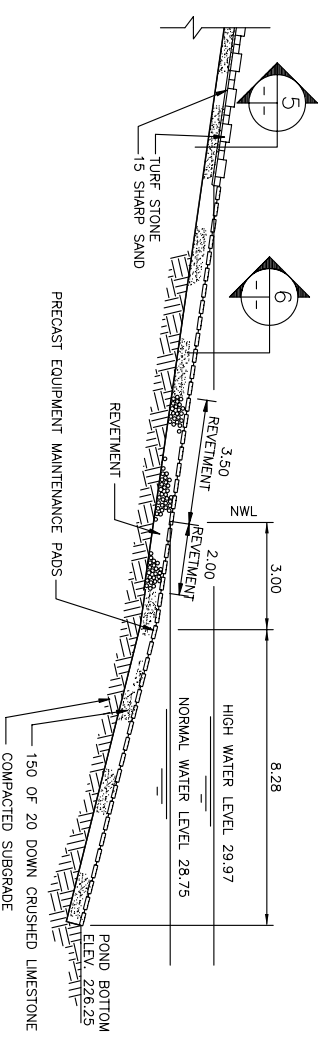
7 CONCRETE COLLAR
NTS



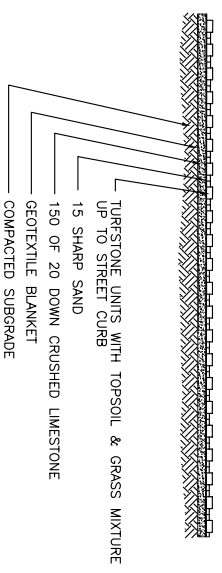
SECTION



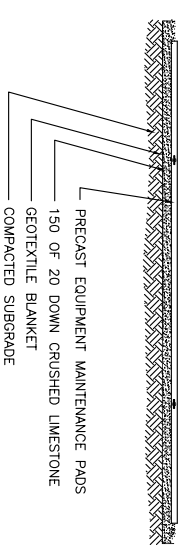
3 MAINTENANCE PAD ASSEMBLY DETAIL
1 : 10



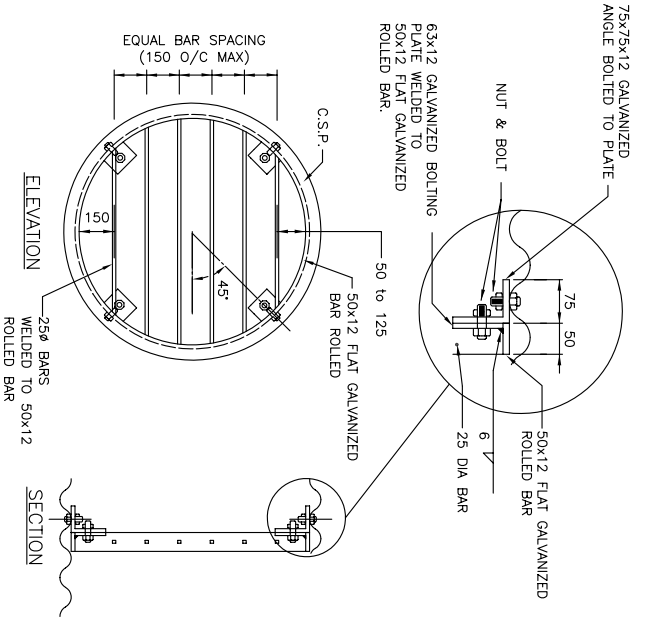
4 MAINTENANCE LAUNCH & ACCESS SECTION
1 : 100



5 TYPICAL SECTION ABOVE H.W.L.
1 : 150



6 TYPICAL SECTION BELOW H.W.L.
1 : 150



8 BAR SCREEN DETAIL
NTS

<p>WARDROP Engineering Inc.</p>		<p>REGISTERED PROFESSIONAL ENGINEER</p>	
DESIGNED	SEH, DNB	CHECKED	BY
DRAWN	GEL, GMD	APPROVED	BY
<p>HR. SCALE: AS NOTED</p>		<p>RELEASED FOR CONSTRUCTION</p>	
ISSUED FOR TENDER	03.12.09	DATE	03.11.17
ISSUED FOR APPROVAL	03.12.09	DATE	03.11.17
NO. REVISIONS		DATE	

<p>THE CITY OF WINNIPEG PLANNING, PROPERTY & DEVELOPMENT DEPARTMENT</p>		<p>FAIRFIELD PARK LOCAL IMPROVEMENT DISTRICT STORMWATER RETENTION BASIN EXCAVATION, OUTFALLS & ASSOCIATED WORKS</p>	
CITY DRAWING NUMBER	LD-2980	SHEET	7 OF 7
<p>Wardrop Engineering Inc. No. 195 Expiry: April 30, 2004</p>		<p>C0007</p>	